

PULSE JET FILTERS

# SF CYLINDRICAL PULSE FILTER



Cylindrical filters are manufactured with ordinary or anti-static bags up to a capacity of 120 m<sup>2</sup> including dust filtration capability for high vacuum or explosion. They are particularly used in coal, wood, food and chemistry industries.

Cyclojet cylindrical filters have been designed for high vacuum, high pressure and explosible areas. They are produced for spray drying, coal grinding, explosive and combustible processes as well as use in the relevant pneumatic conveyance lines.

In MDSJ cylindrical filters, the dust penetrates into the body tangentially; coarse particles are separated with cyclone at first in the cylindrical wall and then are directed towards downward direction. Such cyclone filters reach to a capacity of 200.000m<sup>3</sup>/h.

#### **Body Structure**

High dust penetration scroll, 3 bar vacuum resistance capability, explosion proof body structure, standard carbon material optional AISI 304 and 316 , easily accessible special covers



**01**

#### **PARTICULARS**

- High vacuum and high pressure operations
- 2-2,5-3-4m bag sizes
- Surface area up to 800m<sup>2</sup>
- 1000gr/m<sup>3</sup> dust separation capability
- Low maintenance cost
- 60-65° sub-conical chamber

**02**

#### **UPON DELIVERY**

- Bags with 120-280°C options
- Carbon or stainless cages
- Bag options up to a size of 4 mt
- Access covers
- Exit stairs
- Easily dismantable solenoid valve groups

**03**

#### **AREAS OF APPLICATION**

- Dryers
- Coal bunkers
- Coal grinding facilities
- Coal drying facilities
- For high vacuum pneumatic transports
- Chemical facilities

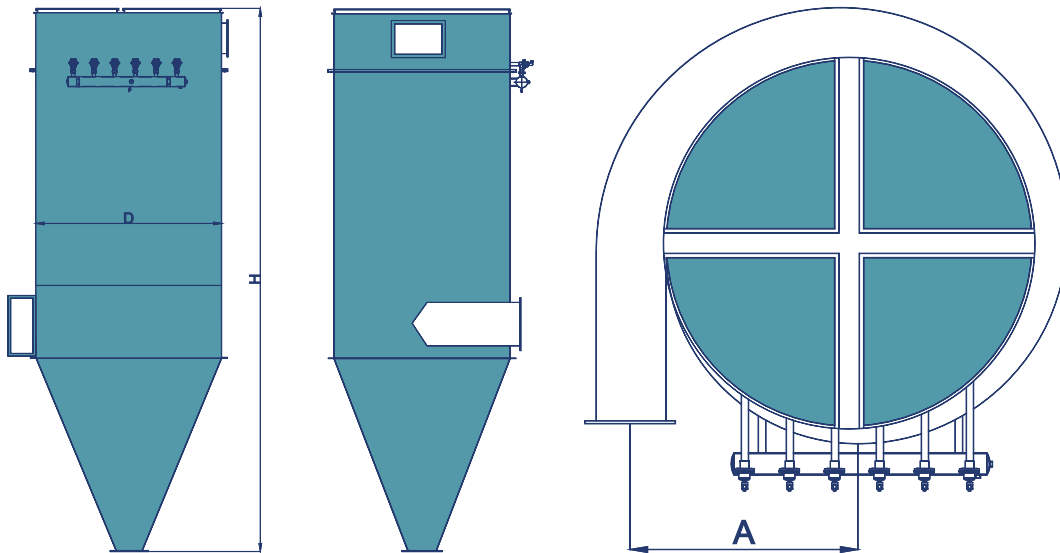
#### **OPTIONALS**

- Special explosion covers
- Anti-static bags
- Oxygen control analyzers
- Exproof valves
- Nitrogen or chlorine gas purification system
- Atex certificated production
- Special-alloy design
- Filter heating or cooling equipment
- Special inlet abrasion plates

**04**

CYLINDRICAL FILTER					
Model	Number of Bags	Filtering Area m <sup>2</sup>	A mm	D mm	H mm
SF7-M6	7	6	635	762	3607
SF7-M8		8	636	762	4216
SF12-M11	12	11	711	914	3810
SF12-M13		13	711	914	4420
SF19-M17	19	17	940	1143	4089
SF19-M21		21	940	1143	4700
SF23-M20	23	20	1016	1372	4369
SF23-M26		26	1016	1372	4877
SF31-M29	31	29	1092	1524	4470
SF31-M34		34	1168	1524	5080
SF42-M37	42	37	1295	1753	4700
SF42-M47		47	1295	1753	5309
SF55-M49	55	49	1320	1829	4775
SF55-M59		59	1422	1829	5385
SF69-M60	69	60	1676	2210	5156
SF69-M75		75	1676	2210	5766
SF85-M74	85	74	1676	2210	5156
SF85-M93		93	1676	2210	5766
SF97-M85	97	85	1778	2438	5410
SF97-M106		106	1778	2438	5766
SF109-M95	109	95	1778	2438	5410
SF109-M119		119	1778	2438	5766

The sizes given are for informative purposes and may not be used in manufacturing. For detailed information, contact with MDSJ.



TÜRKİYE / TURKEY

Mecidiyeköy İş Merkezi ŞİŞLİ İstanbul  
+90 (212) 356 78 70 - 71 / +90 (212) 356 71 55

mdsj@mdsj.com.tr

UKRAYNA / UKRAINE

Dnepropetrovsk, Dnipropetrovsk Oblast, Ukraine  
+380 63 754 25 46 +380 96 920 41 20

ukrsates@gmail.com