

PNEUMATIC TRANSPORT EQUIPMENT

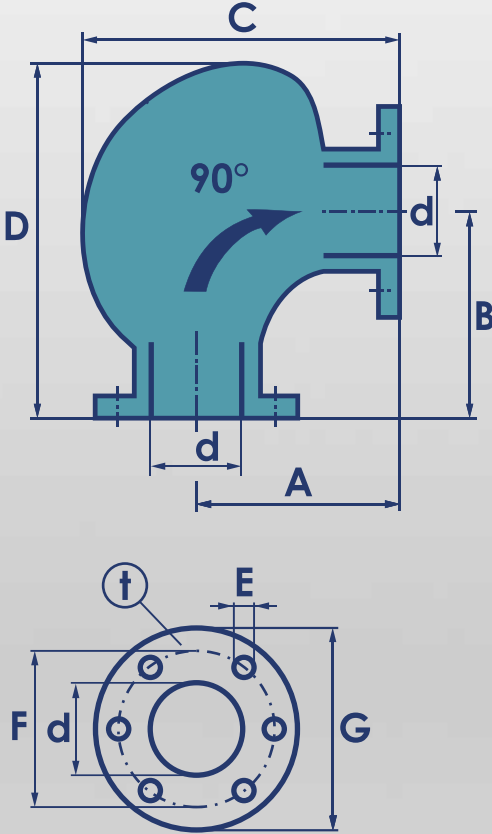
ACE ANTI-CORROSIVE ELBOW



- Special-Alloy Body
- Low Resistant
- Abrasion Resistant
- Long Shelf Life
- Simple Assembly

(ACE) ANTI-CORROSIVE ELBOWS:

They have an anti-corrosive structure and are made of special-alloy resistant to abrasion. Abrasion and air resistance in conveyance lines have been minimized in case of contact with raw material thanks to its special design. It provides ease of mounting due to its compact structures. It is possible to mount them horizontally or vertically on the conveyance line.

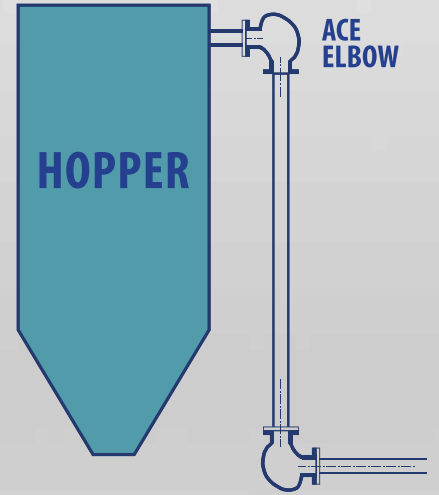


ADVANTAGES:

- Anti-Corrosive Special-Alloy Body
- Horizontal and Vertical Mountability
- Minimum Resistance and Long Life

USES:

- Coal
- Cement
- Calcite
- Dolomite
- Soda
- Sand
- Metal Powder
- Feldspar
- Kaolin
- Plaster
- Lime, etc..



The sizes given are for informative purposes and may not be used in manufacturing. For detailed information, contact with MDSJ.

DN	80	100	125	150	175	200
A	205	205	215	230	265	310
B	215	220	215	230	265	310
C	330	320	350	385	445	515
D	360	370	365	395	455	525
d	80	100	125	150	175	200
E	8x18	8x18	8x18	8x22	8x22	8x22
F	160	180	210	240	270	295
G	200	220	250	285	315	340
t	20	20	22	22	24	24

NOTE: All dimensions in mm .Flanges PN 10 standard