

HOPPER DISCHARGE EQUIPMENT

# BA BIN ACTIVATOR



There are 3 major flow matters concerning discharge of materials from hoppers: plug, hole shrinkage, separation. Vibration of container usually provides discharge of materials; but if the container is a hopper with a weight of 200 kilos, it will be tough and hazardous to discharge it. What should be done at this point is to shake the material instead of the container. It is possible to shake the material instead of the container by way of using a flexible sleeve between the cone under the material and the container.

Bin activators discharge air off the material by way of applying vibration onto the cone. The material occupies the space and the occupied space is broken as a result of vibration. It is possible to obtain material flow in the end; but flow may not be regulated. Bin activators may be used in all processes in which material discharge from hoppers are required.

## CONE

WAM cones are seam-free cones with a production process in cnc benches; contact surfaces are smooth. The materials used are carbon steel or stainless.

## SLEEVE SEAL

Seam-free sleeve seal made of cast polymer has been mounted into the bin activators. There is no need for operations such as welding, bonding etc. due to its special structure and special production method. It is made of pretty high resistant engineering polymer material and may be used in all operations.

## SPRINGS

The springs shake the cone with the resulting vibration and in hopper chassis, hopper or bag are shaken with this movement. It is tube-shaped, causes a movement by 360 degrees and vibration may be dampened fully.

- Heavy service type
- Movement by 360 degrees
- No need for a larger vibrator.

## VIBRATION

Vibration motor with pretty low operating power has been mounted into bin activators. Vibration may be easily adjusted if required.

## ELECTRIC MOTOR

- Asynchronous 3 phase motor
- Vibrator adjustable with eccentrical weights
- Easily mountable OLI motor

## BAR PLATE

Bar plate may have different shapes and angles depending on the operation (degrees of 15, 30, 45, 60). Larger diameter special graded angle deflector bar plate may be used.

- Convex deflector bar plate
- Conical deflector bar plate with degrees of 15, 30, 45, 60
- Compound deflector bar plate

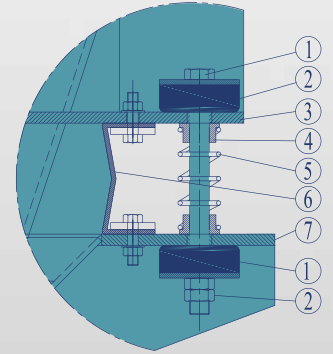
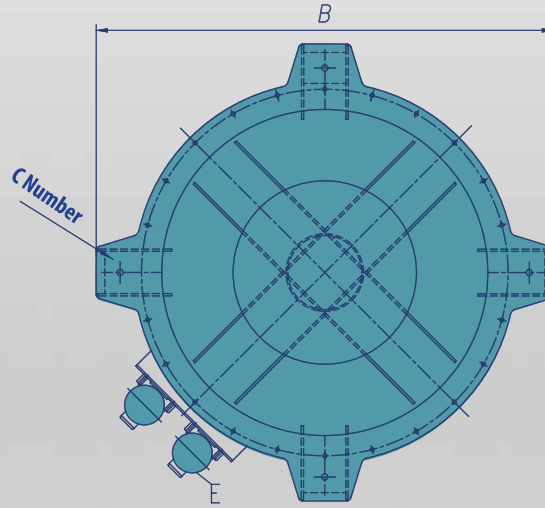
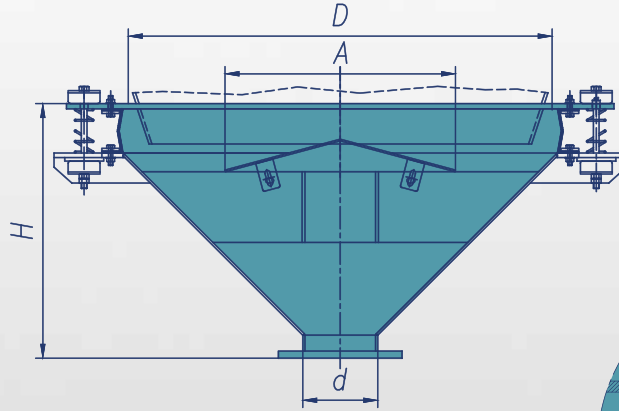


## EVENT MOUNTING

- Mounting and commissioning
- Bolted

## OPERATIONS

- Flour mills
- Feed mills
- Fertilizer factories
- Chemistry industry
- Plastic industry
- Ceramic industry
- Glass industry



1. Suspension M20 Rod
2. Impact Dampener
3. Hopper Mounting Flange
4. Spring Guide
5. Vibration Spring
6. Special Rubber Seal
7. Activator Body

The sizes given are for informative purposes and may not be used in manufacturing. For detailed information, contact with MDSJ.

	CODE	SIZES (MM)						WEIGHT (kg)
		D (ø)	d (ø)	A (ø)	B	C	E	
1.	BAC-40	400	100-220	275	700	4	1	65
2.	BAC-60	600	100-260	400	900	4	1	90
3.	BAC-75	750	100-300	500	1050	4	1	120
4.	BAC-90	900	100-320	600	1200	4	1	160
5.	BAC-100	1000	100-360	750	1300	4	1	180
6.	BAC-125	1250	200-400	900	1550	4-8	1	350
7.	BAC-150	1500	200-400	1000	1800	4-8	1	560
8.	BAC-175	1750	250-500	1200	2050	4-8	2	800
9.	BAC-200	2000	250-500	1400	2300	8-12	2	1000
10.	BAC-225	2250	300-500	1500	2550	12-16	2	1300
11.	BAC-250	2500	300-500	1700	2800	16-18	2	1700