

PNEUMATIC TRANSPORT SYSTEMS

# MULTI-SYSTEM DENSE PHASE PNEUMATIC TRANSPORT



MDSJ multi dense phase transport is particularly used in thermal plant, electro or bagged filters in single and multiple groups up to a distance of 300 m. Plus, it is used for coal bunker, cement facility, filter and cyclone-bottom dust transfer.

# MULTI-SYSTEM DENSE PHASE PNEUMATIC TRANSPORT

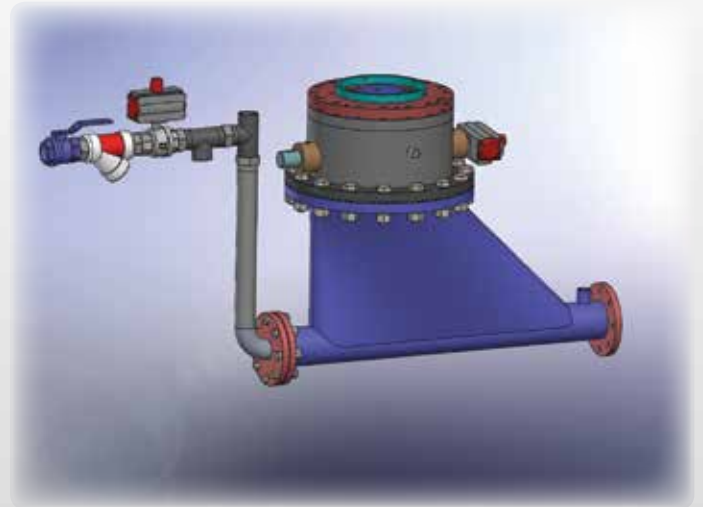
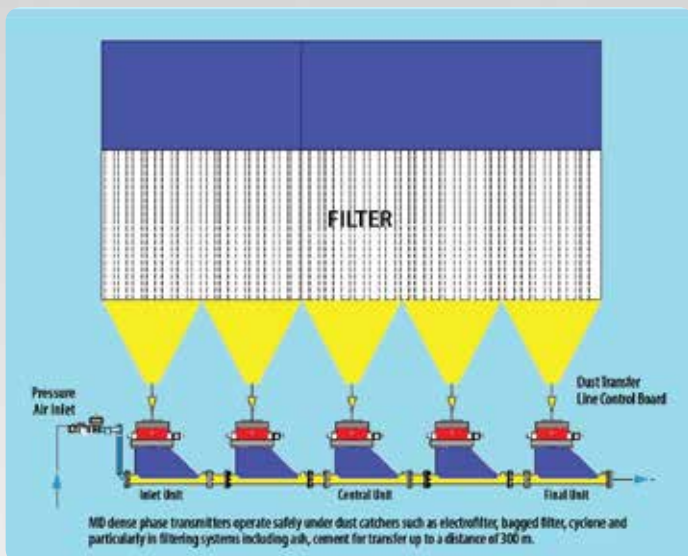
MDSJ Multi Densporter is an efficient, reliable, low-cost system, which requires low degree of maintenance and which is easy to install. Operating cost is low. It is environment-friendly. Materials are loaded from one or more points at the same time and transported safely up to a distance of 300 m. It has an abrasion-resistant body.

## AREAS OF USE

Particularly in coal bunkers, electro filter or bagged filter is placed in cyclone, multi cyclone bottom parts and is used for dense phase pneumatic transport.

## MODE OF OPERATION

Dry dusts having accumulated on dust catcher bunkers fill the interior of MD dense phase transmitter in a specific time period. MD transmitters, which are filled in single or multiple units, are pressurized automatically and transfer gets started in the meantime.

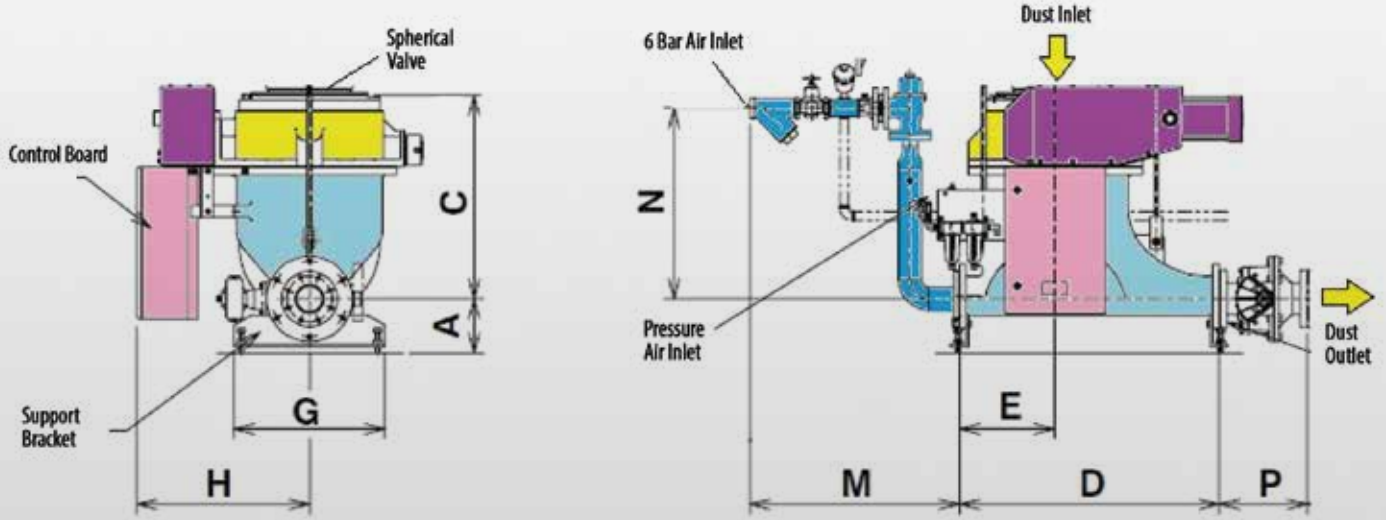


## PRODUCT FILL VALVE

Product fill valve, a major component of densporters, full-traffic spherical type, inflatable silicon-based rubber seal, construction for heavy operating conditions, steel and cast body optional.

## ADVANTAGES

- Simple and easy installation
- Chance to feed from a single point or multiple points
- Silent operation
- Low cost
- Minimum maintenance
- Minimum pipe abrasion
- Dust-free operation environment
- Environment-friendly
- Operation at low speed
- Minimum air low pressure



The rates given in the list have been prepared for a capacity of 1 t/h-40 t/h and an operating range of 2,5bar-5 bar. For project preparation, upper limit for capacity is 300 t/h and demands will be taken into consideration. The sizes given are for informative purposes and may not be used in manufacturing. For detailed information, contact with MDSJ.

TYPE	ØDN	A	C	D	E	G	H	ØJ	M	N	P
MD-3-8-650	80	160	650	790	290	410	620	200	740	650	380
MD-4-8-655	100	160	655	790	290	410	620	200	740	650	350
MD-4-12-710	80	160	710	920	360	410	730	300	740	680	380
MD-4-12-720	100	160	720	920	360	410	730	300	740	680	350
MD-4-8-690	80	160	690	880	360	410	620	200	740	680	380
MD-4-8-750	100	260	750	1100	390	550	740	200	900	660	350
MD-5-8-760	125	260	760	1100	390	550	740	200	900	660	450
MD-4-12-830	100	220	830	1100	390	550	780	300	830	760	350
MD-5-12-840	125	250	840	1100	390	550	780	300	830	760	450
MD-4-12-980	100	220	980	1100	390	710	780	300	960	890	350
MD-5-12-995	125	250	995	1110	460	710	750	300	850	760	450
MD-6-12-1000	150	250	1000	1110	460	550	750	300	850	760	450
MD-5-8-1260	125	260	1260	1150	400	880	740	200	850	1150	450
MD-6-12-990	150	260	990	1150	490	1100	740	300	1100	760	450
MD-6-12-1100	150	260	1100	1150	490	710	740	300	1250	950	450
MD-5-12-1485	125	250	1485	1110	460	1100	750	300	950	1350	450
MD-8-12-950	200	290	950	1430	580	920	800	300	850	890	480
MD-8-12-1450	200	310	1450	1400	550	1100	820	300	1100	890	480
MD-8-12-1100	200	350	1100	1450	590	1100	800	300	1100	1000	570