

WET SCRUBBERS

## VP VENTURI WASHER

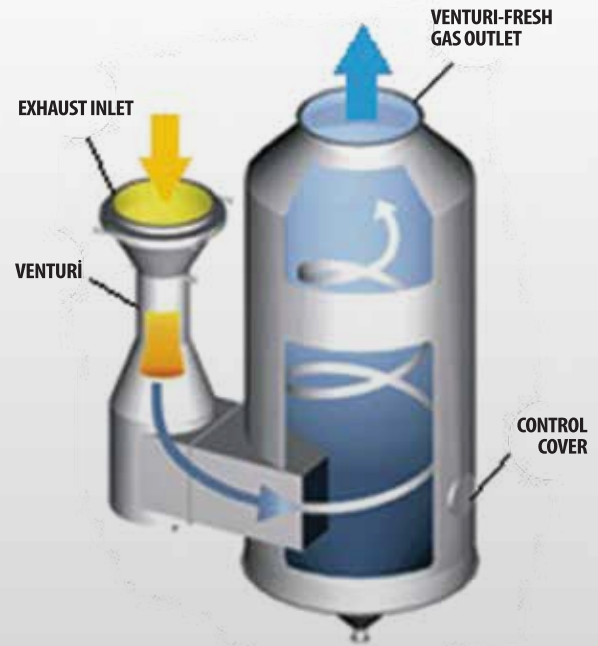


Such systems provide ideal cleaning facilities for waste gas masses containing micron and submicron particles in industrial and commercial plants. Energy consumption is at the lowest level. It separates hazardous gases, particles and steam from the stack gas. These washers, which are used for cleaning oils, pollutants and other particles in the gas flow, provide a means for recycling of gases and materials.

**Capturing Fine Dust and Gas** ParticlesVenturi washers spray high speed gas and pollutants from the venture narrow pass vertically. The materials are shaken as a result of density difference and are separated from the gas in sludge form.

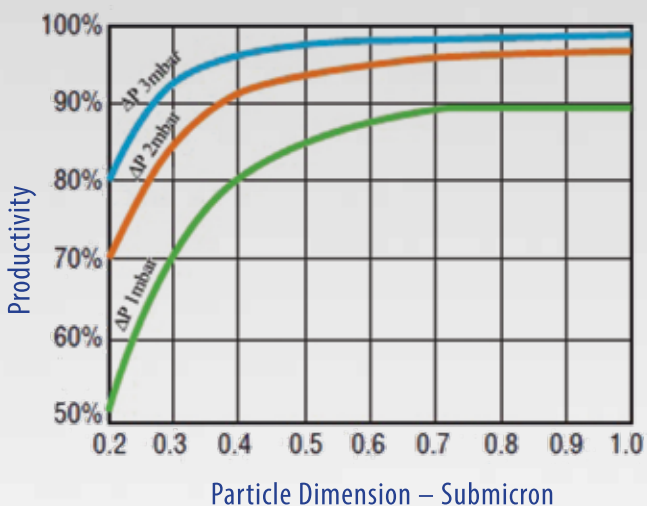
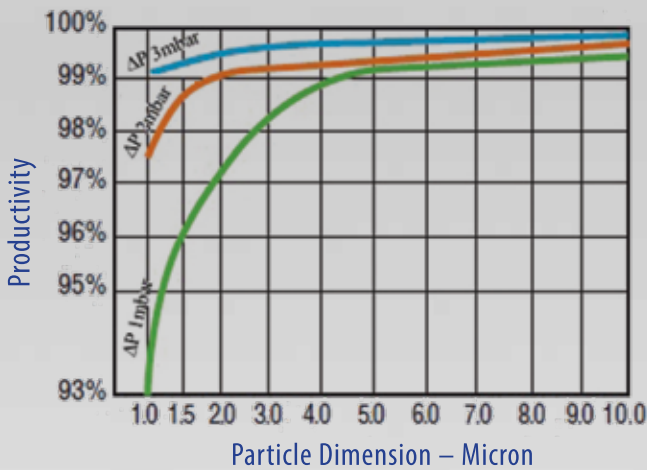
**Liquid Use for Separation** Even if the design seems very simple at first, a quality venture design requires an immense experience in the field. This is the area of expertise of MDSJ. It is perhaps possible to imitate the venturis developed by us. But it is not so easy to obtain the same efficiency.

MDSJ venturis are designed for minimum liquid consumption with very low resistance and for efficiency up to a level of 99 % with adjustable venture valves.



**Cleaning and Recycling** MDSJ venturis clean the most complicated dust and gas masses by applying liquid and in the end 99 % even 100 % efficiency is obtained. The dust masses captured are collected at the bottom in the form of wet sludge. Sludge may be discharged automatically or manually.

Venturi Scrubber Efficiency



## PARTICULARS

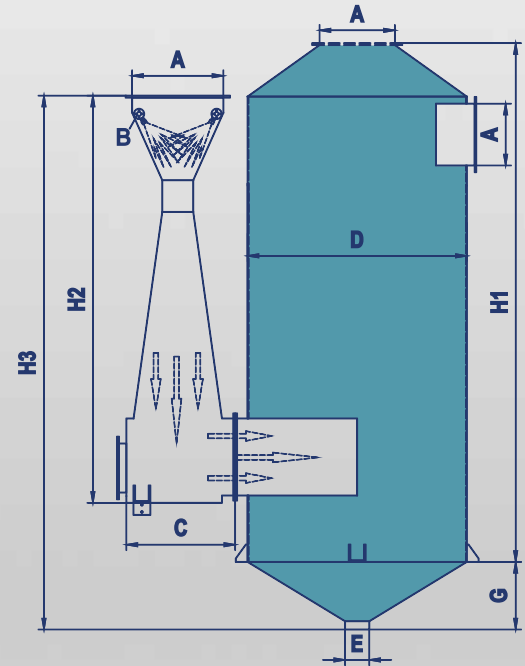
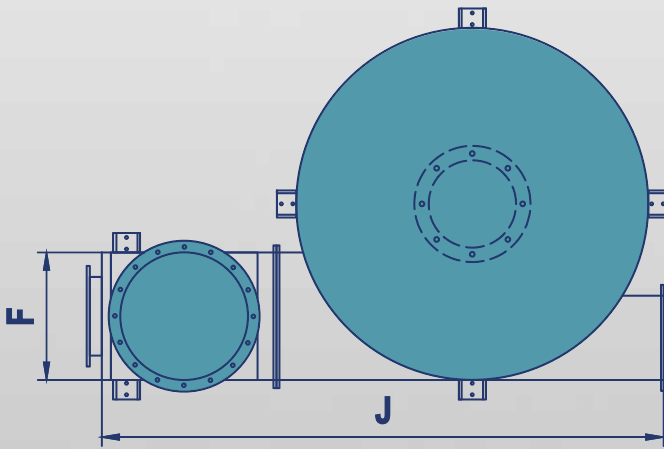
- Cleaning of all types of combustible dusts,
- Collection of dust particles finer than 5 microns,
- Providing a means to collect dust and gas masses jointly,
- Adjustability with two valves at venture duct point,
- Optionally an eliminator is placed onto the main body if needed,
- Usually water need taken as 1000lt air 1 m3.
- Emission values are in accordance with environment laws.
- Average pressure loss is at a level of 8m bar

## Standard Equipment

- Together with exhaust inlet duct counter flange
- Clearable special MDSJ wash nozzles
- Manual adjustable venture duct valves
- Together with venture fresh gas outlet flange
- Inspection hedge bolts
- Standard carbon steel optional stainless steel body
- Liquid pumps and connecting pipes

## Optional Equipment

- Stainless steel, high-alloy CTP or PP propylene
- Automatic motor-driven adjustable venture duct valve
- Exhaust fans
- Sludge extraction chain system
- Stainless drift eliminator



The sizes given are for informative purposes and may not be used in manufacturing. For detailed information, contact with MDSJ.

VENTURI SCRUBBER CAPACITIES AND DIMENSIONS												
Type	Capacity (m <sup>3</sup> /h)	A (mm)	B (inch)	C (mm)	D (mm)	E (inch)	F (mm)	G (mm)	H1 (mm)	H2 (mm)	H3 (mm)	J (mm)
VY1000	2500-4500	280	2"	710	1000	2"	280	250	1320	1700	1825	1670
VY1100	4500-6000	370	2"	710	1100	3"	430	400	2000	2000	2200	2025
VY1250	6000-8000	430	2"	760	1250	4"	430	430	2180	2150	2300	2200
VY1500	8000-10500	485	2"	890	1500	4"	535	480	2480	2200	2500	2430
VY1600	10000-15000	570	2"	960	1600	4"	570	530	2750	2350	2700	2700
VY1800	15000-20000	660	3"	1100	1800	6"	710	610	3150	2650	3100	3010
VY2000	20000-25000	750	3"	1200	2000	6"	710	660	3680	2950	3370	3350
VY2250	25000-35000	825	4"	1450	2250	6"	940	735	4300	3450	3980	3800
VY2500	35000-45000	1000	4"	1550	2500	8"	940	860	5000	3650	4300	4150
VY3000	45000-60000	1150	4"	1850	3000	8"	1340	890	5750	4430	5150	4750
VY3250	60000-80000	1320	6"	1975	3250	10"	1340	1015	6700	4660	5500	5250
VY3500	80000-100000	1500	6"	2250	3500	10"	1770	1115	7750	5320	6250	5875